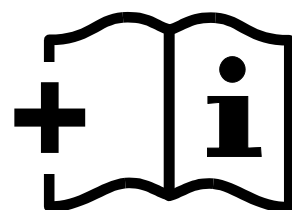


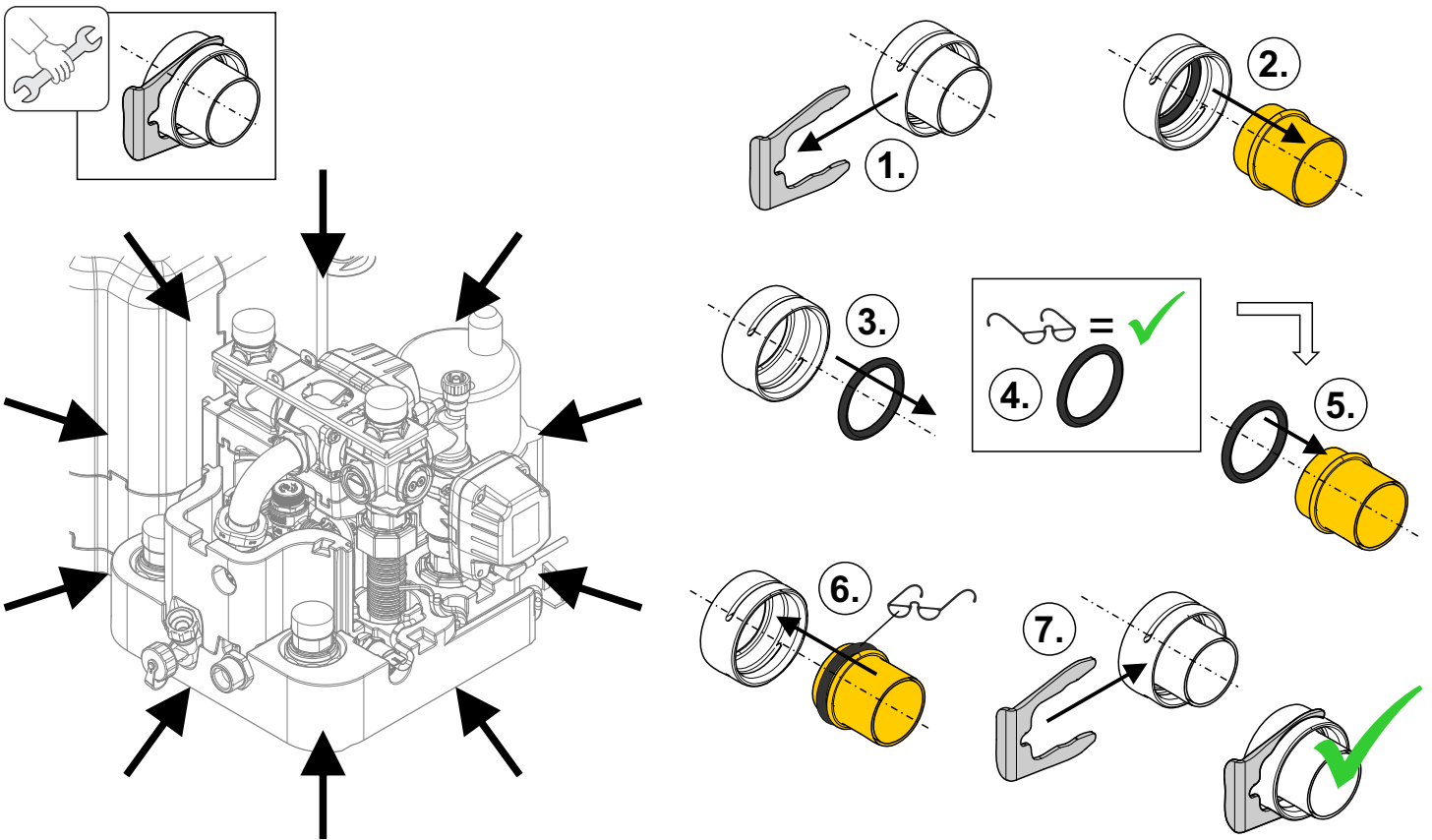
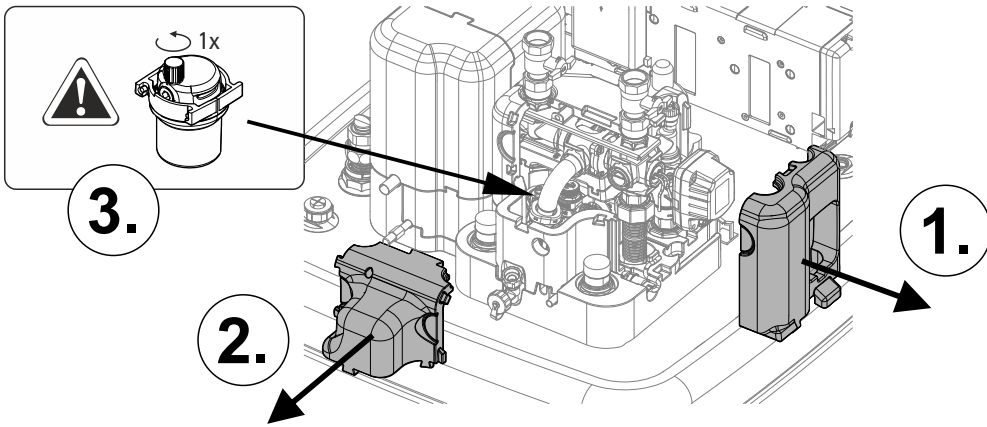
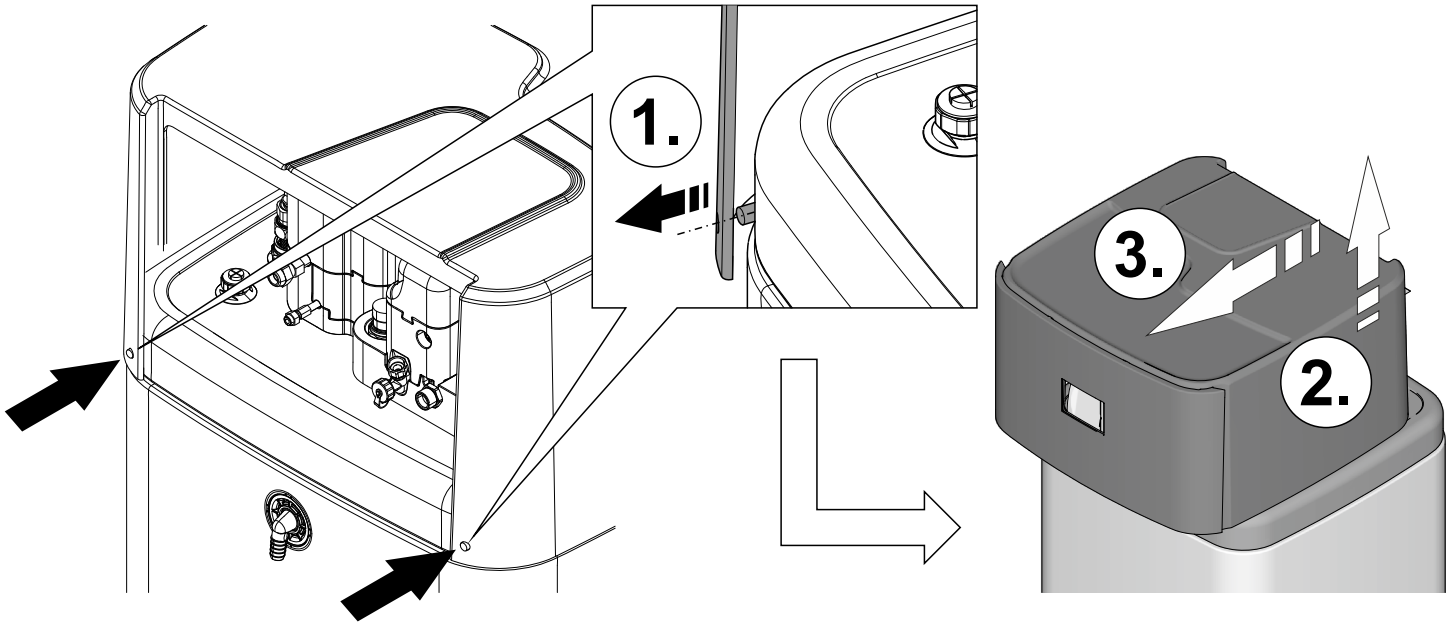


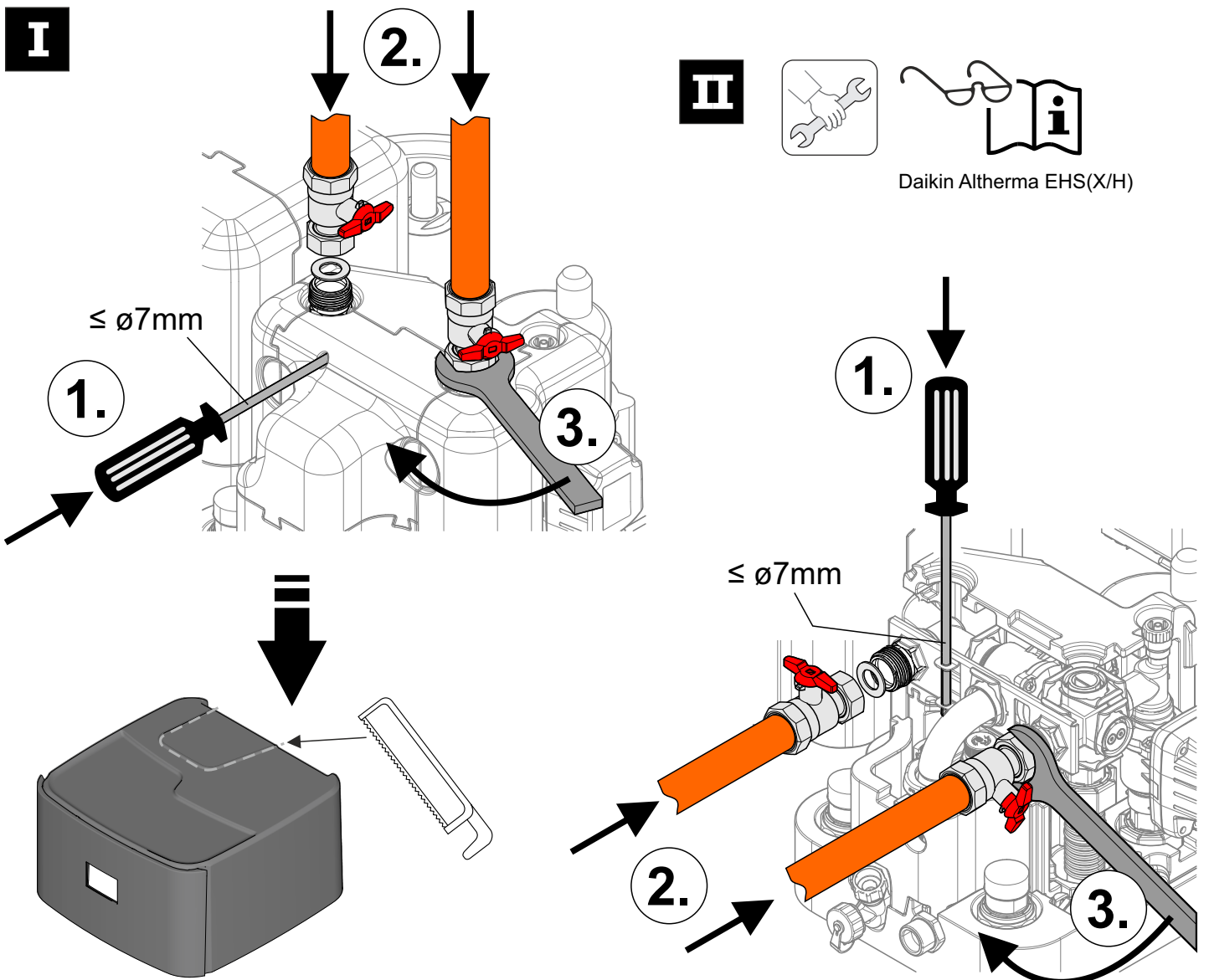
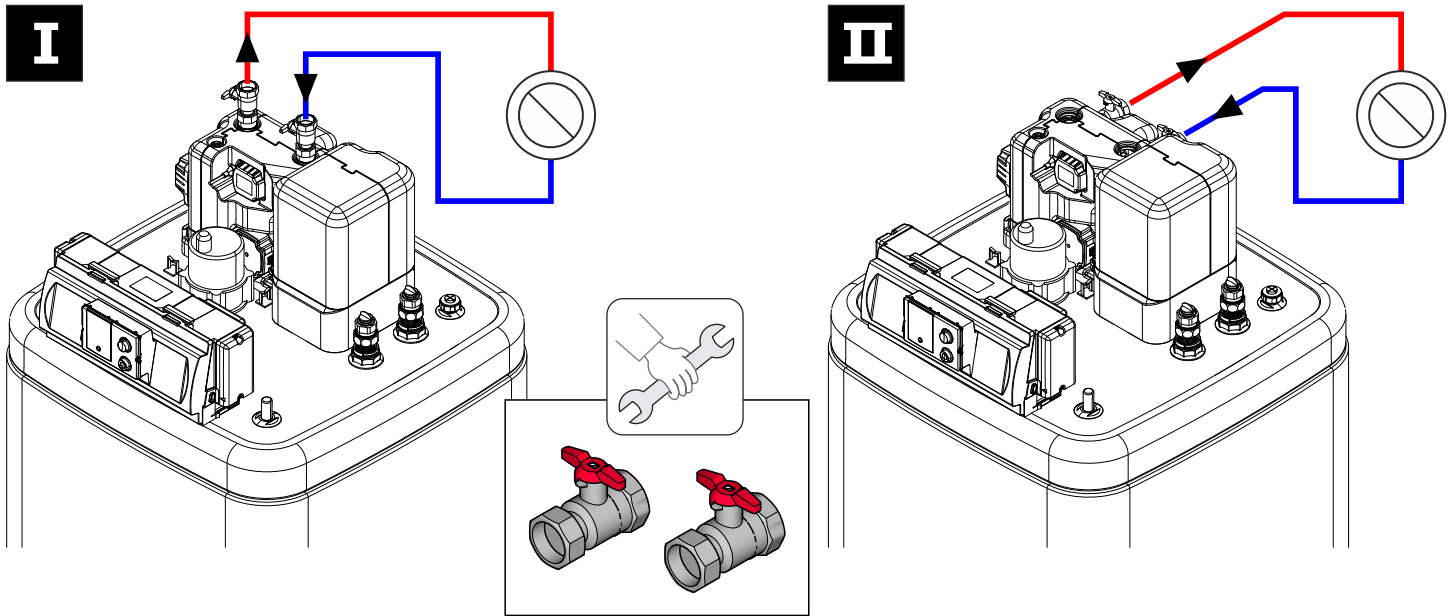
NEW

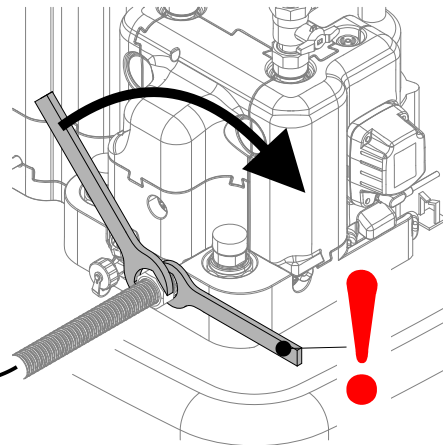
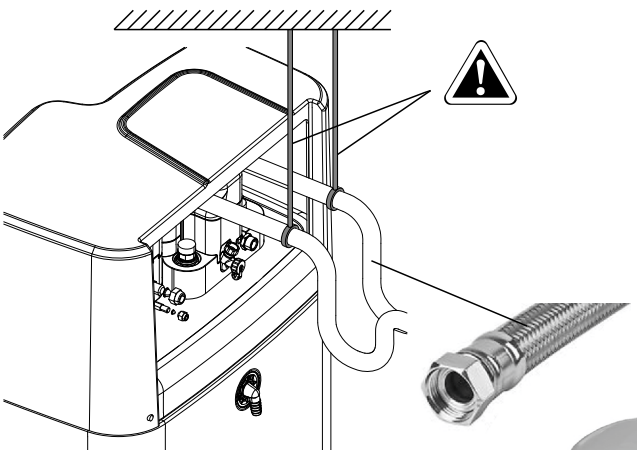
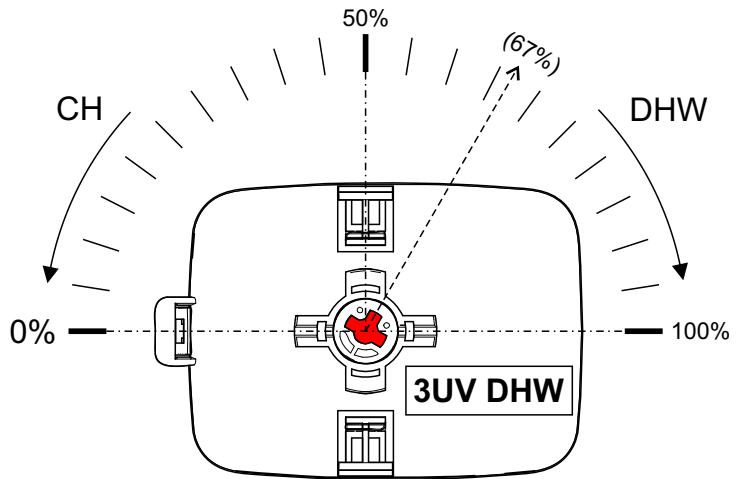
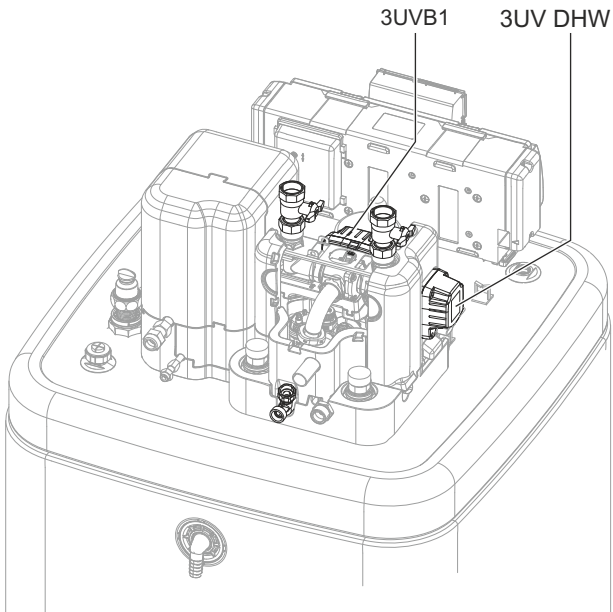
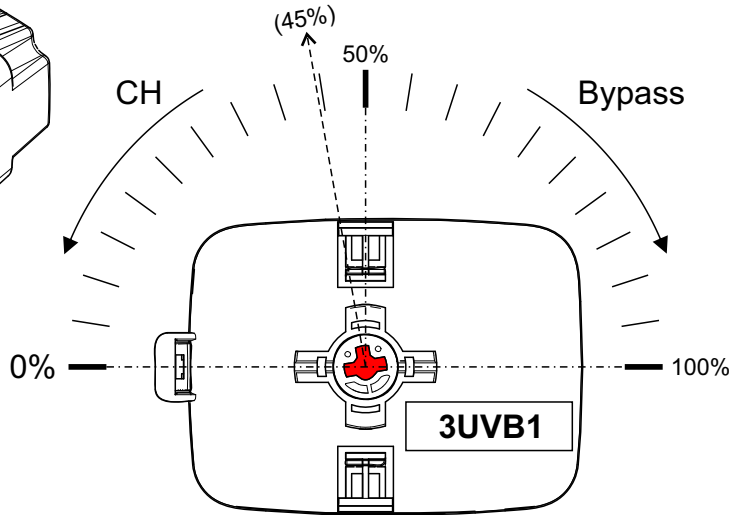
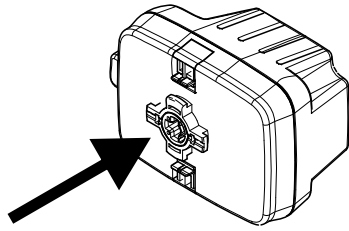
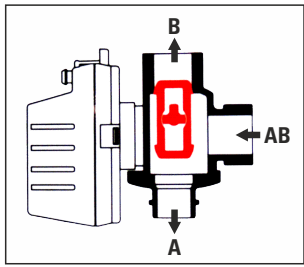
Daikin Altherma integrated solar unit



Daikin
Altherma
EHS(X/H)(B)
- 04P30B
- 08P30B
- 08P50B
- 16P50B







Copyright 2016 Daikin